



## NOTICE OF AWARD

**INCA PHILIPPINES, INC.**  
Building 4 Philcrest Compound  
Km. 23, West Service Road,  
Bo. Cupang, Muntinlupa City  
Contact number: 02-8092730; 8500118  
Email address: [incaplastics@yahoo.com](mailto:incaplastics@yahoo.com)

**BID REFERENCE NO. 2024-18** entitled “**SUPPLY, DELIVERY, AND INSTALLATION OF FOUR (4) UNITS 20M DIAMETER SINGLE PIPE HDPE OFFSHORE SEAWEED CAGE AT DENRICA, GARTCHITORENA, CAMARINES SUR**”

Dear Sir/Madam:

Greetings!

We are pleased to notify you that the contract for the above Project is hereby awarded to your firm as the **Single Calculated and Responsive Bidder (SCRB)** and compliant with the Technical Specifications required by the end-user for the Contract Price specified in the attached summary.

You are therefore required, within **ten (10)** days from the receipt of this Notice of Award, to formally enter into a contract with us, and to submit the *Performance Security* in the form and the amount stipulated in the Instructions to Bidders.

Failure to enter into the said contract or provide the Performance Security shall constitute a sufficient ground for cancellation of this award and forfeiture of your Bid Security.

Very truly yours,

**ATTY. DEMOSTHENES R. ESCOTO**  
Head of Procuring Entity  
Director, BFAR

*I acknowledge receipt of this Notice of Award on the date indicated below:*

Signature of Bidder's Authorized Representative: \_\_\_\_\_

Name of Bidder's Authorized Representative: \_\_\_\_\_

**RALPH A. CABRERA**

Date: \_\_\_\_\_

**02 APR 2024**

## ANNEX TO NOTICE OF AWARD

SUMMARY OF ITEMS TO BE AWARDED TO:  
**INCA PHILIPPINES, INC.**

**BID REFERENCE NO. 2024-18**

### **SUPPLY, DELIVERY, AND INSTALLATION OF FOUR (4) UNITS 20M DIAMETER SINGLE PIPE HDPE OFFSHORE SEAWEED CAGE AT DENRICA, GARTCHITORENA, CAMARINES SUR**

PR NO.	LOT NO.	LOT TITLE	APPROVED BUDGET FOR THE CONTRACT (ABC) (PHP)	CONTRACT PRICE (PHP)
24-02-136	1	"SUPPLY, DELIVERY, AND INSTALLATION OF FOUR (4) UNITS 20M DIAMETER SINGLE PIPE HDPE OFFSHORE SEAWEED CAGE AT DENRICA, GARTCHITORENA CAMARINES SUR"	₱ 7,276,896.00	₱ 7,276,880.00

Quantity	Unit	Item Description
<b>Bill of Materials</b>		
44	pieces	SDR 17 HDPE PIPE Ø250 mm x 5.8M
44	pieces	SDR 9 HDPE PIPE Ø90 mm x 5.8M
216	pieces	POLYSTYRENE INSERTS 8" x 48"
1,040	pieces	304 STAINLESS METAL SCREW Ø1/4" x 1 1/2"
1,020	pieces	304 STAINLESS HEX BOLT Ø5/16" x 2"
2,040	pieces	304 STAINLESS WASHER Ø5/16"
1,020	pieces	304 STAINLESS LOCKNUT Ø5/16"
<b>48 pieces of Concrete Mooring Blocks including Grid Mooring</b>		
176	bag	CEMENT
20	cu. m.	COARSE SAND
20	cu.m.	GRAVEL
96	lgts.	10mm CORR. BAR 3/8" x 20'
8	kgs.	TIE WIRE #16
384	pcs	USED TIRE RING (steel belted)
16	rolls	Ø30 mm PP ROPE (Black/Maroon)
56	rolls	Ø10 mm PE ROPE (Black/Maroon)
4	rolls	Ø8 mm PE ROPE (Black/Maroon)
32	rolls	Ø6 mm PE ROPE (Black/Maroon)
32	pcs	200 L PLASTIC DRUM (BLUE)
32	pcs	VULCASEAL SACHET
16	pcs	CRS ROD Ø3/4" x 20'
4	gals	MARINE EPOXY PRIMER



4	gals	MARINE EPOXY PAINT (BLUE)
4	kgs.	6011 WELDING ROD
12	kgs.	MONOFILAMENT NYLON # 160
1		MOORING RAFT MATERIALS
<b>Rotomold Polyethylene Plastics Products</b>		
248	pc	SINGLE INVERTED CONICAL POST
32	pc	BALL FLOAT 40" DIAMETER WITH EAR
552	pc	SECONDARY FLOATER 120MM DIAMETER DOUBLE EAR

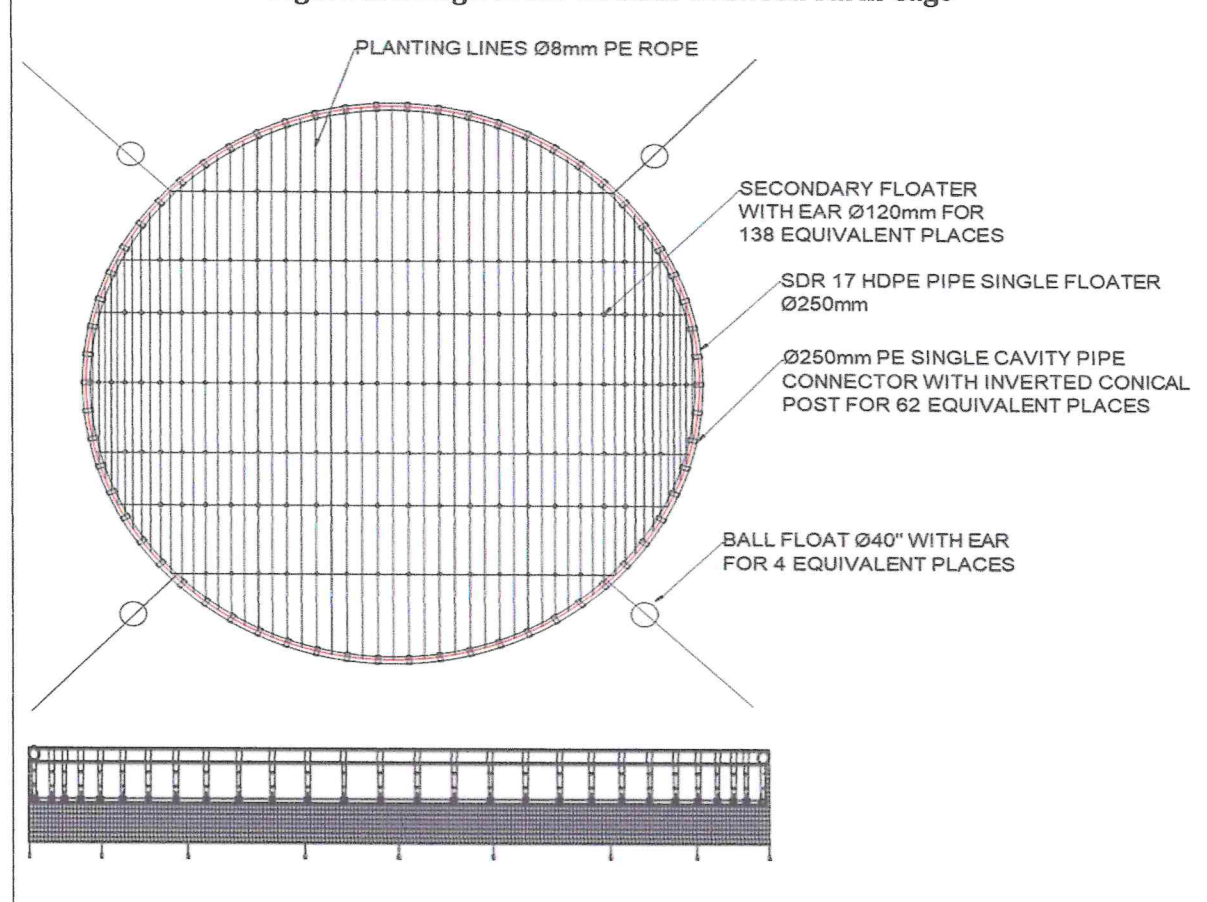
Lot Number	Description	Quantity	Delivered, Weeks/Months
1	"SUPPLY, DELIVERY, AND INSTALLATION OF FOUR (4) UNITS 20M DIAMETER SINGLE PIPE HDPE OFFSHORE SEAWEED CAGE AT DENRICA, GARTCHITORENA CAMARINES SUR"	1 Lot	within <b>forty-five (45)</b> calendar days upon receipt of the Notice to Proceed

**Place of Delivery:**

Offshore/within municipal waters of Brgy. Denrica, Gartchitorena, Camarines Sur

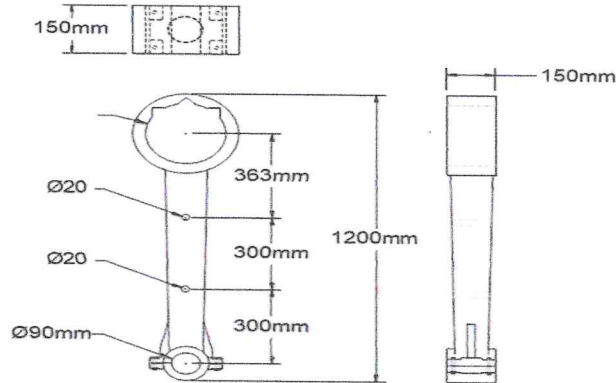
**Project Design**

**Figure 1. Design of the Circular Seaweed Farm Cage**



### Project Design

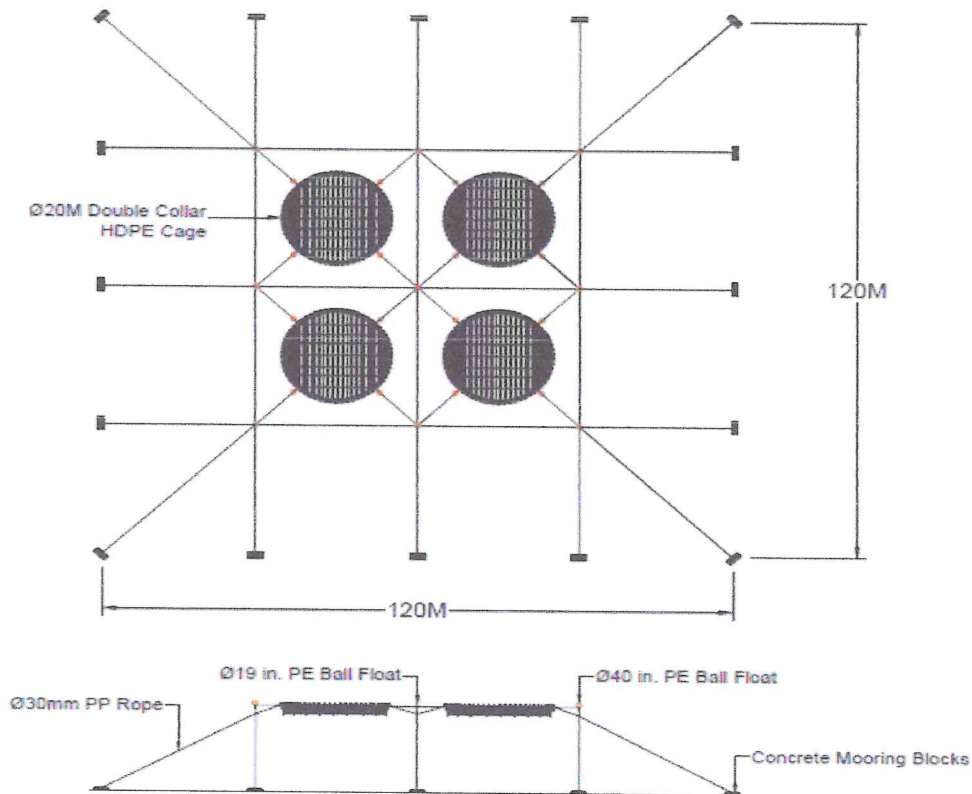
**Figure 1. Design of the Circular Seaweed Farm Cage**



DETAIL OF Ø250mm PE SINGLE CAVITY PIPE CONNECTOR WITH INVERTED CONICAL POST  
MATERIAL: MEDIUM DENSITY POLYETHYLENE (MDPE) UV STABILIZED  
FOR OUTDOOR TROPICAL USE  
ROTOMOLDING PROCESS

NOTE: DETAILS OF DESIGN ARE SUBJECT TO MODIFICATION TO IMPROVE PRODUCT PERFORMANCE & DURABILITY

**Figure 2. 2x2 Cells Grid Type Mooring System of the Seaweed Farm**



\*\*\*\*NOTHING FOLLOWS\*\*\*\*